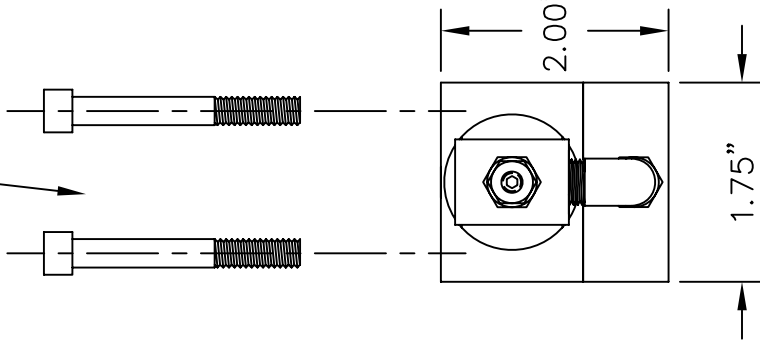
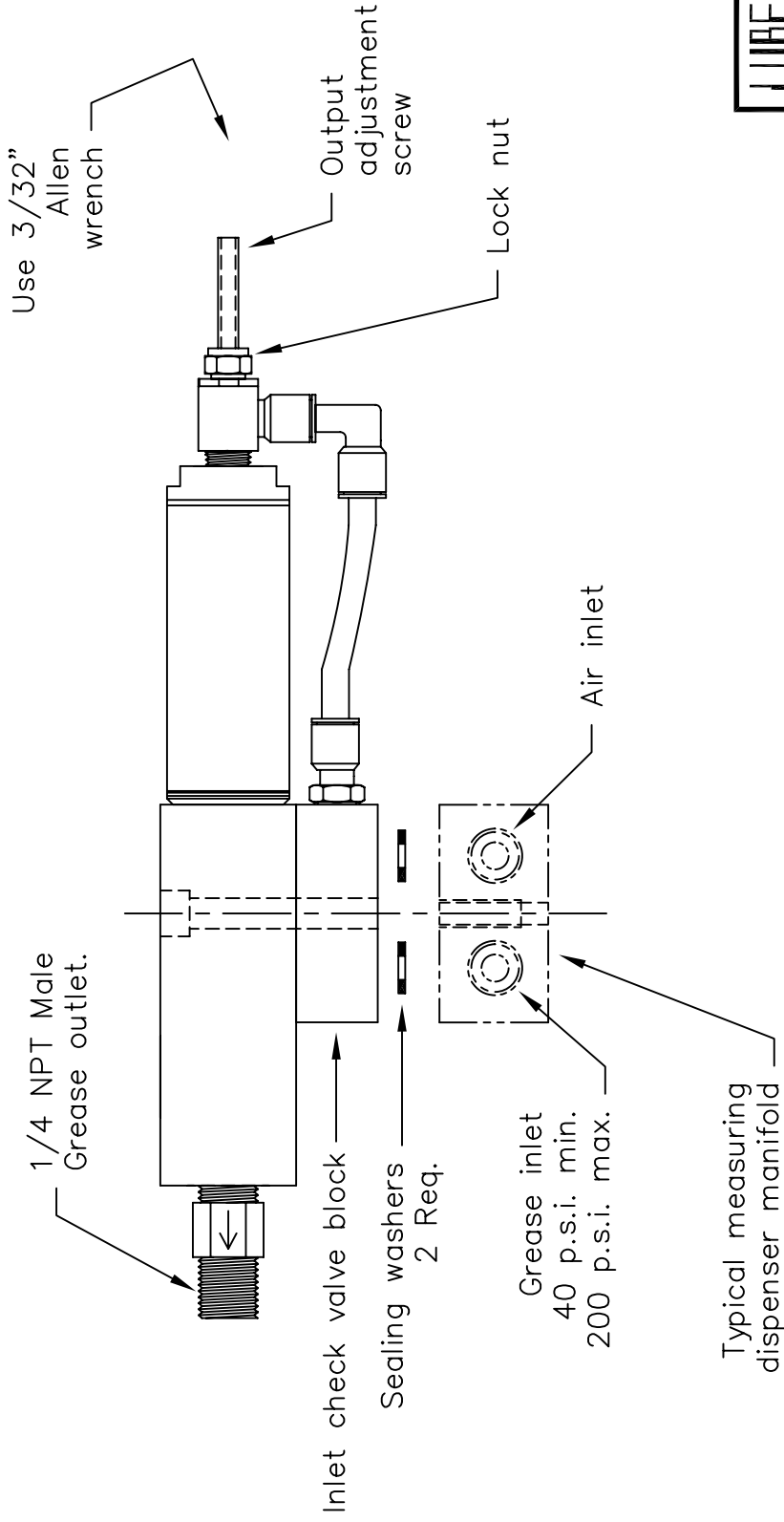
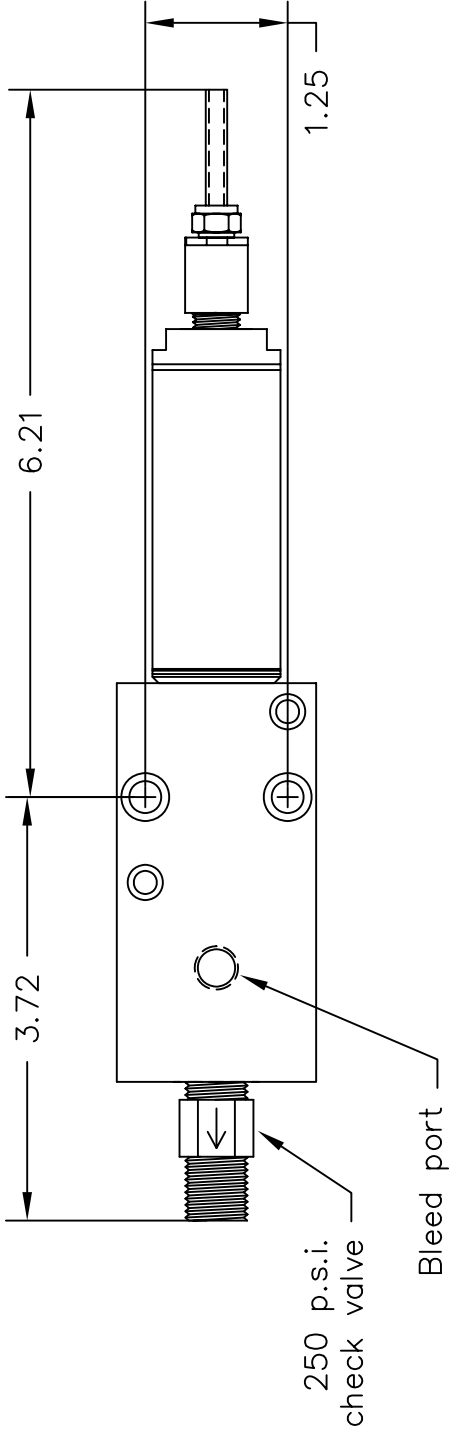


#1742  
1/4-20 x 2 SHCS  
2 Req.



**LUBE LOGIC** G. P. REEVES INC.  
 12764 GREENLY STREET, USA  
 HOLLAND, MI 49424

|       |         |  |                |                 |          |     |
|-------|---------|--|----------------|-----------------|----------|-----|
| SCALE | —       |  | TOLERANCES     | X.XXX = ± 0.005 | DRAWN BY | KPR |
| DATE  | 9/18/07 |  | X.XX = ± 0.015 |                 |          |     |
|       |         |  | X.X = ± 1/32   |                 |          |     |

GPMD1000A Grease Dispenser