

DETAILED DESCRIPTION

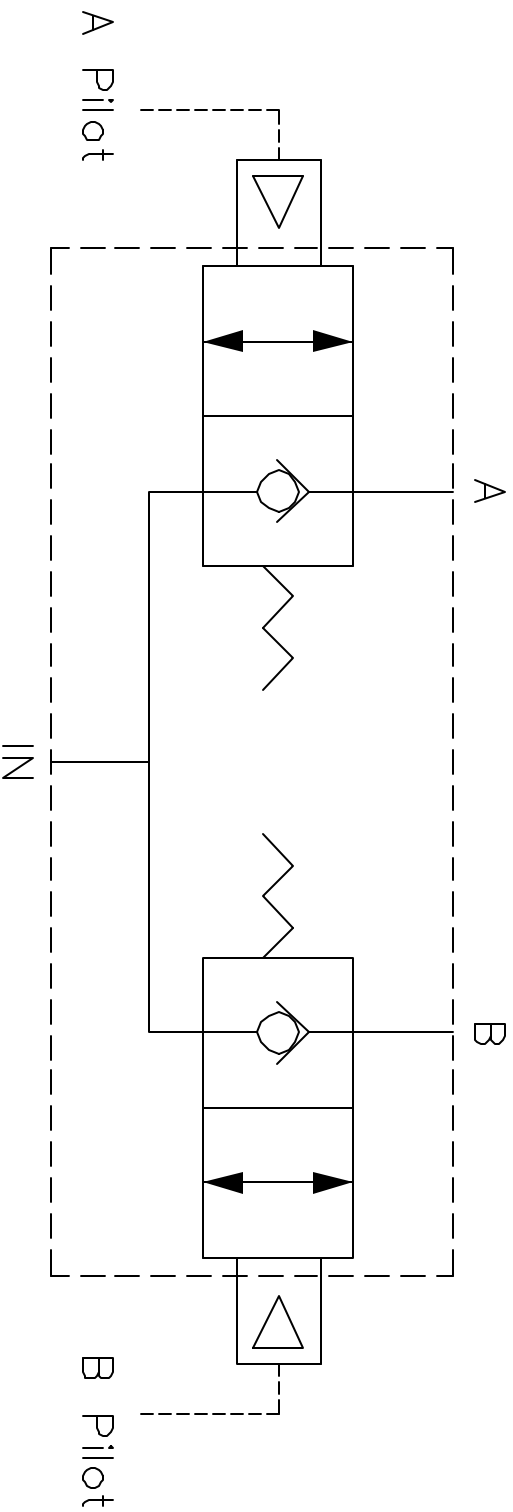
Dispense valve asm, two two way valve in one body for selector service with IN, Out A, and Out B ports, air pilot operated, spring biased to close. Rated for 3000 p.s.i. Material ports are 1/4 NPTF. Pilot ports are 1/8 NPTF. No snuffback. 100 : 1 pilot to system ratio, approx. 1/8 inch internal orifice & the IN port is capable of sealing high pressure. Not meant for reverse flow (OUT to IN flow direction). Minimum air pilot pressure is 50 p.s.i. with grease pressure of 3000. IN to ports A and B closed when neither two way valve is pilot operated.

THIS DOCUMENT IS THE PROPERTY OF G.P. REEVES INC. AND CONTAINS CONFIDENTIAL PROPRIETARY INFORMATION THAT IS NOT TO BE DISCLOSED TO THIRD PARTIES AND IS NOT TO BE USED WITHOUT APPROVAL IN WRITING FROM G.P. REEVES INC.

LUBE LOGIC G. P. REEVES INC.
10000 W. 10th Street, USA
 Highland, MI 48033

SCALE	-	TOLERANCES	XXXX - ± 0.003 XXX - ± 0.015 XX - ± 1/32	DESIGNED BY	JMH
DATE	01/14/02				

Dispense Valve Assembly



THIS DOCUMENT IS THE PROPERTY OF G.P. REEVES INC. AND CONTAINS CONFIDENTIAL PROPRIETARY INFORMATION THAT IS NOT TO BE DISCLOSED TO THIRD PARTIES AND IS NOT TO BE USED WITHOUT APPROVAL IN WRITING FROM G.P. REEVES INC.

KEY	DESCRIPTION	REQ
-----	-------------	-----

LIBE LOGIC		G. P. REEVES INC.
<small> 501 JENNY STREET HILLMAN, IN 49124, USA </small>		

SCALE	-	TOLERANCES	XXX - ± 0.003 BROAD OR
DATE	01/14/02		XX - ± 1/32
			X.XX - ± 0.015
			JMH

Dispense Valve Assembly

SHEET	2 of 3	DRAWING NUMBER	KA4615
-------	--------	----------------	--------