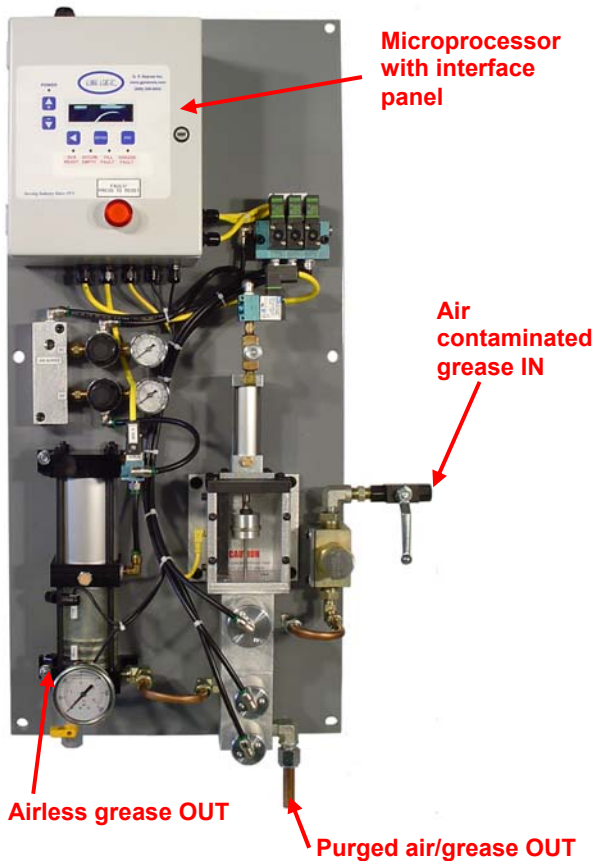


GUS1029

Grease Uninterruptible Source

- Finds and automatically removes voids and air from grease
- Allows continued production during grease, drum, and pail changes
- Alerts user to grease supply problems while operating
- Controlled by integral microprocessor
- Sends only airless grease to downstream dispensing components
- Functions with heavy NLGI #2 lubricating grease



WHO NEEDS GUS?

Are you applying grease to production parts?
(non-maintenance greasing)

Are you are tired of having reject parts caused by air bubbles in your grease?

If you already have a system that detects air and shuts down for correction, is shutting down inconvenient?

Do you want only airless grease to be applied or injected into your production parts?

Are you disgusted with having your production line shut down during drum or pail changes at your central grease pump?

Are you "fed up" with shutdowns caused by air in the grease shortly after pail or drum changes?

DESCRIPTION

Grease Uninterruptible Source removes air from grease and facilitates continuous operation even during grease source changes. GUS1029 does not have an inlet grease reservoir but can be connected directly to 1000-3000 PSI Grease Pressure. This GUS has a 1,100 cc outlet grease accumulator with a 1.8 to 1 boost ratio and functions with NLGI 000 to 2 grease. This GUS requires 120 VAC and compressed air for operation. It includes a microprocessor with operator interface. This GUS is designed for systems averaging 60 cc per minute when not more than 60% of grease contains air and at that usage its output accumulator can facilitate continued dispensing for up to 18 minutes if the grease source is being changed. This GUS also includes a 300 micron filter and ball valve.

GUS Notes

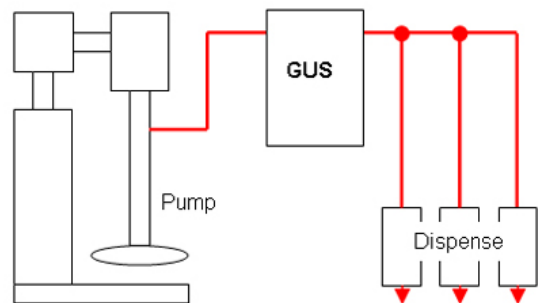
GUS1029 is designed to supply AIRLESS grease at 18 to 180 p.s.i. to single or multiple independent randomly operated grease dispensers.

If you need large amounts of grease to be dispensed from only one or two nozzles, check out our AAPGP and AAPGD dispensers.

GUS is manufactured exclusively by G. P. Reeves Inc. under US patent number 6,053,285.

This GUS is controlled by an integral microprocessor

Install GUS between pump and dispensers



G. P. Reeves Inc. 12764 Greenly Street Holland, MI 49424

Phone: 888.399.8893

Fax: 616.399.8867

Web Site: <http://gpreeves.com>