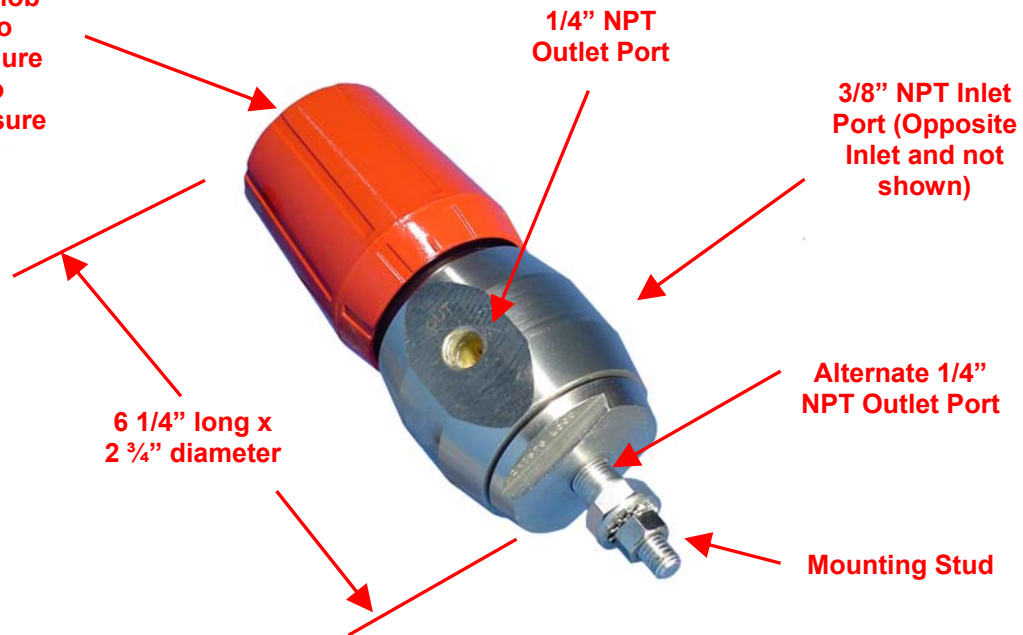


# GPR3000 Series

## Grease Pressure Regulator

- Maximum primary pressure is 3000 p.s.i.
- Inlet (primary) port is 3/8" NPT
- Accurate Secondary Pressure and High Flow
- Secondary pressure is adjustable from 200 to 1000 or from 1000 to 3000 p.s.i.
- Outlet (secondary) ports are 1/4" NPT
- Includes mounting stud for use in unused outlet port

**Adjustment Knob**  
Rotate CW to increase pressure and CCW to decrease pressure



| MODEL     | DESCRIPTION                                                                                                                                                                                                                             |
|-----------|-----------------------------------------------------------------------------------------------------------------------------------------------------------------------------------------------------------------------------------------|
| GPR3000-1 | Grease pressure regulator with 3000 p.s.i. primary, 200-1000 p.s.i. secondary, 3/8 NPT inlet, and two 1/4 NPT outlets. Includes mounting stud with 3/8-16 male threads. Use either one of the two outlets for gauge or mounting stud.   |
| GPR3000-2 | Grease pressure regulator with 3000 p.s.i. primary, 1000-3000 p.s.i. secondary, 3/8 NPT inlet, and two 1/4 NPT outlets. Includes mounting stud with 7/16-20 male threads. Use either one of the two outlets for gauge or mounting stud. |

### INSTALLATION NOTES

Before installing the regulator, thoroughly flush the grease lines and hoses to remove metal chips and other contaminants. Install a ball valve and grease filter at the primary (high pressure) inlet of the regulator. Grease should be filtered to a minimum of 300 microns.

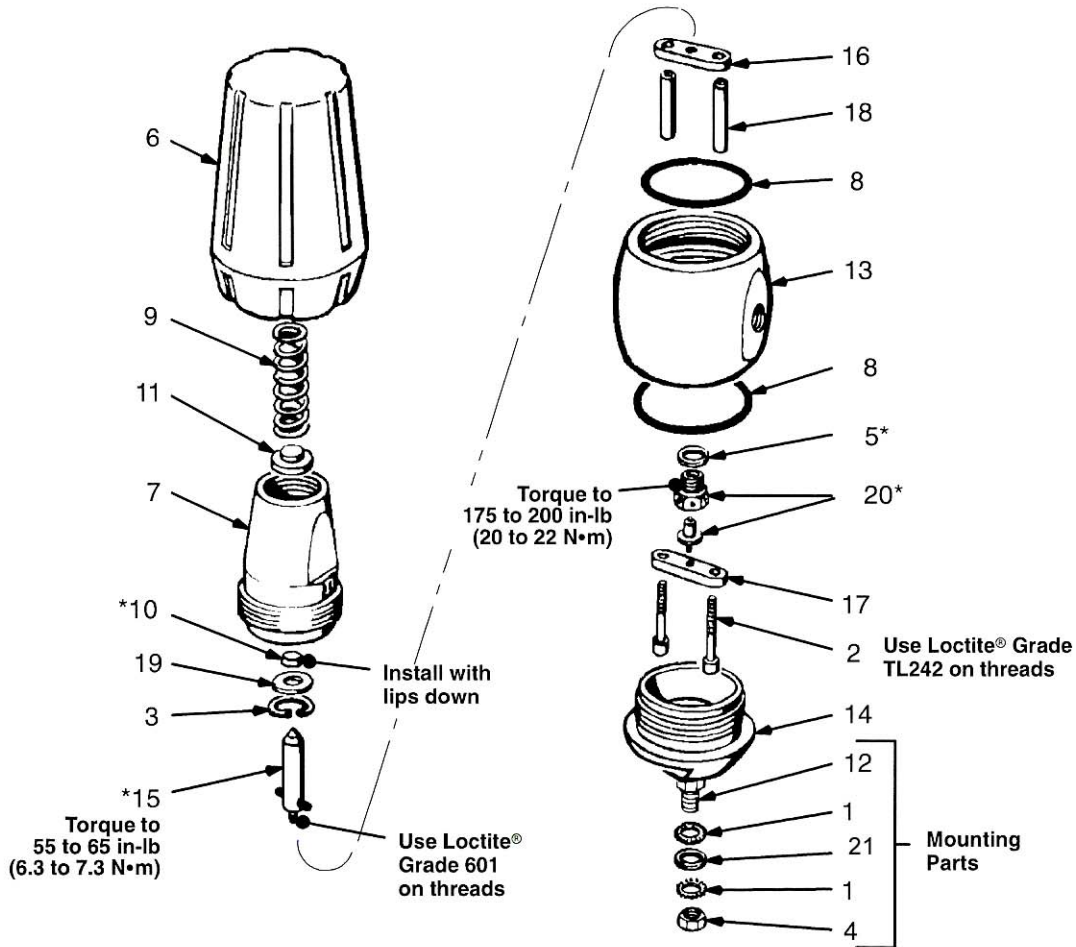
**G. P. Reeves Inc. 12764 Greenly Street Holland, MI 49424**

**Phone: 888.399.8893**

**Fax: 616.399.8867**

**Web Site: <http://gpreeves.com>**

**GPR3000-1 and GPR3000-2**



**Parts Breakdown**

| No. | Description                         | Qty. | No. | Description                           | Qty. |
|-----|-------------------------------------|------|-----|---------------------------------------|------|
| 1   | 100322 lock washer (GPR3000-2 only) | 2    | 11  | 116988 locator spring                 | 1    |
|     | 100639 lock washer (GPR3000-1 only) | 2    | 12  | 167001 mounting stud (GPR3000-2 only) | 1    |
| 2   | 101885 socket head cap screw        | 2    |     | 156953 mounting stud (GPR3000-1 only) | 1    |
| 3   | 101954 retaining ring               | 1    | 13  | 177125 regulator housing              | 1    |
| 4   | 150513 jam nut (GPR3000-2 only)     | 1    | 14  | 167016 cap                            | 1    |
|     | 100307 jam nut (GPR3000-1 only)     | 1    | 15  | 220900* valve piston                  | 1    |
| 5   | 150670* copper gasket               | 1    | 16  | 167018 piston bar                     | 1    |
| 6   | 166976 adjusting knob               | 1    | 17  | 167019 valve ball support bar         | 1    |
| 7   | 166982 regulator cylinder           | 1    | 18  | 167020 spacer bar                     | 1    |
| 8   | 166985 "O" ring seal, PTFE          | 2    | 19  | 171885 backup washer                  | 1    |
| 9   | 166986 spring (GPR3000-2 only)      | 1    | 20  | 248899* valve and seat                | 1    |
|     | 501511 spring (GPR3000-1 only)      | 1    | 21  | 100023 washer (GPR3000-1 only)        | 1    |
| 10  | 111796* "U" type packing, PTFE      | 1    |     |                                       |      |

\* parts included in repair kit RPKGPR3000

**G. P. Reeves Inc. 12764 Greenly Street Holland, MI 49424**

**Phone: 888.399.8893**

**Fax: 616.399.8867**

**Web Site: <http://gpreeves.com>**