



Serving industry since 1971



G. P. Reeves Inc.
 12764 Greenly Street
 Holland, MI 49424 USA

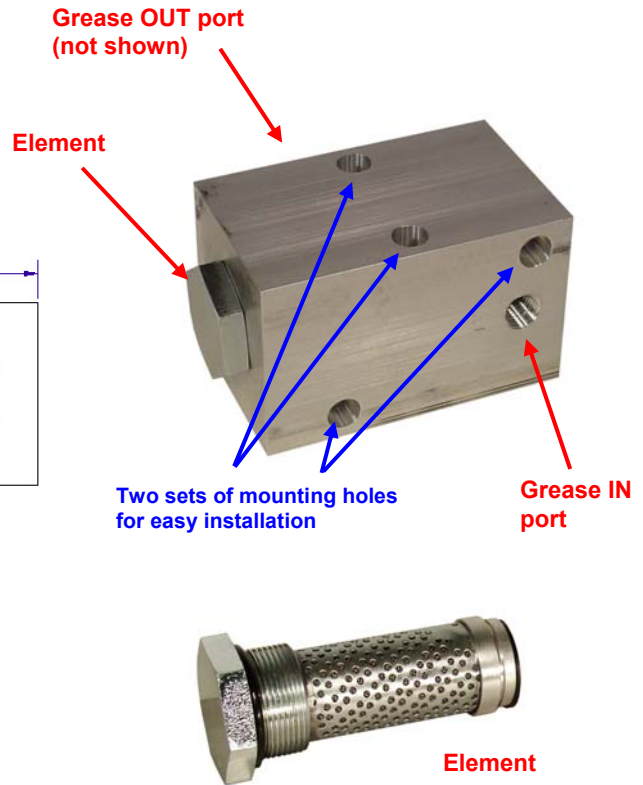
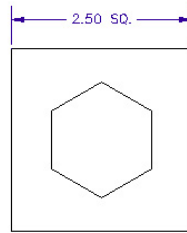
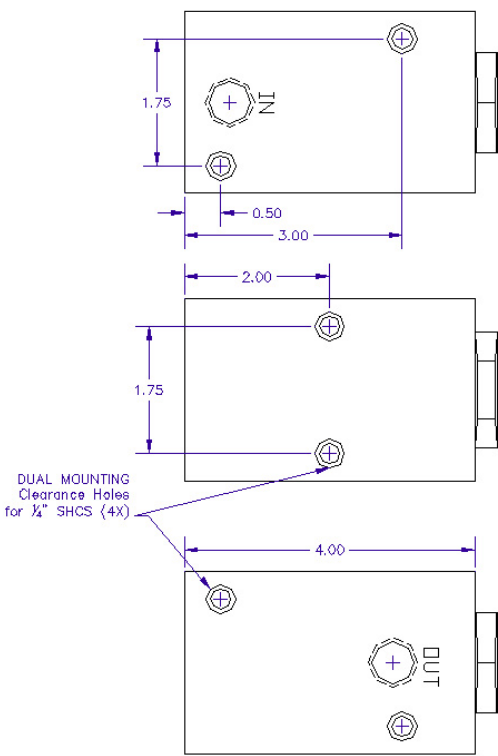
Phone: 888.399.8893
 Fax: 616.399.8867
 Web Site: <http://gpreeves.com>

GF1000 Series Grease Filters

Recommended for use with G. P. Reeves production grease dispensing systems

Ideal for protection of grease pressure regulator and other sensitive components

- Designed for up to 3000 p.s.i. grease
- Filter element is cleanable and replaceable
- Engineered for NLGI 000 through NLGI 3 grease
- "Inside-Out" flow path allows filtered contamination to be removed with element



GREASE FILTERS (elements are included)		
Part number	Description	Replacement Element
GF1149-4 *	Grease filter with 149 micron (100 mesh) element and 1/4" NPT ports	1702
GF1149-6 *	Grease filter with 149 Micron (100 mesh) element and 3/8" NPT ports	1702
GF1420-4	Grease filter with 420 micron (40 mesh) element and 1/4" NPT ports	2592
GF1420-6	Grease filter with 420 micron (40 mesh) element and 3/8" NPT ports	2592
GF1149-SAE6 *	Grease filter with 149 micron (100 mesh) element and #6 SAE (3/8") ports	1702
GF1420-SAE6	Grease filter with 420 micron (40 mesh) element and #6 SAE (3/8") ports	2592

* not for use with NLGI 3 grease