

FS3003 Grease Flow Sensor

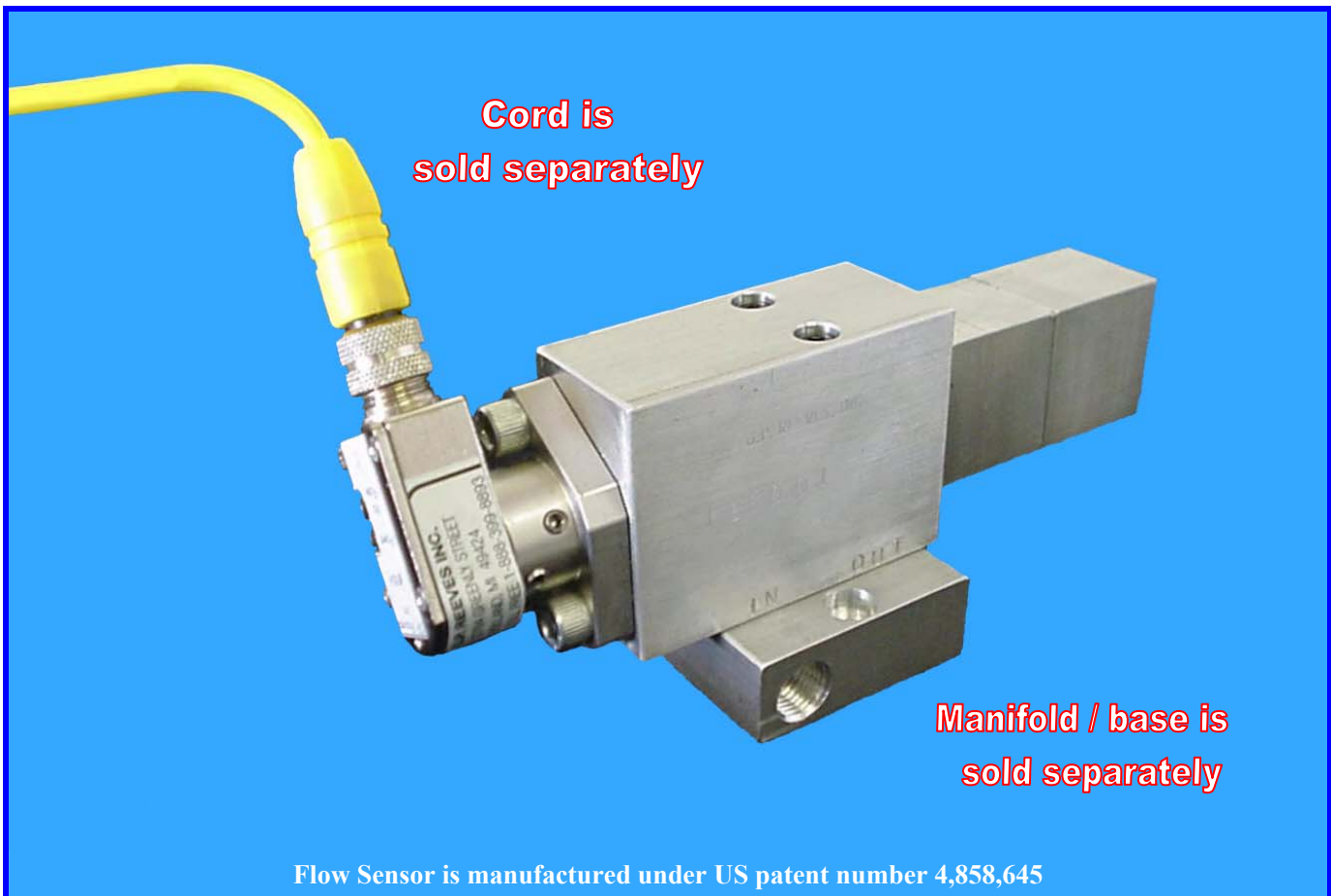
RELIABLE

FAST

COMPACT

Adjustable Flow Sensor (Flow Monitor) for Oil

■	Base mounted for quick change with minimal downtime	■	Functions with oil viscosities as high as 600 SUS at 100° F.
■	Micro connector for quick electrical connections	■	Short response time for high production greasing
■	Easy adjustment with LED flow indicator	■	Dependable inductive proximity circuit with digital output
■	Tamper resistant adjustment cover	■	Operates with 10 to 30 Volts DC



G. P. Reeves Inc. 12764 Greenly Street Holland, MI 49424

Phone: 888.399.8893

Fax: 616.399.8867

Web Site: <http://gpreeves.com>

RELIABLE AND FAST

The FS3003 Flow Sensor uses a sealed electronic inductive proximity circuit, non-magnetic steel ball, and a precision-machined nylon seat for high speed, accurate, reliable operation.

COMPACT & BASE MOUNTABLE

The FS3003 Flow Sensor is small, (about 7" long, 2" high, and 1 1/4" wide) and can be installed on a base that is only 3/4" high. Multiple sensors can be installed on multi-station bases on 1 3/4" centers. The male plug-in Micro connector rotates through 304 deg. for wiring flexibility.

FS3003 SPECIFICATIONS

Media	Lubricating Oil within the viscosity range of 80 to 600 SUS at 100° F.	Response Time with increasing flow **	0.10 second when adjusted to sense increasing flow. 0.20 second when adjusted to sense decreasing flow
Pressure Rating	3000 p.s.i. (206 bar)	Response time with decreasing flow **	0.10 second when adjusted to sense decreasing flow. 0.20 second when adjusted to sense increasing flow
Sensing Range **	.16 to .83 cc per second	Adjustment Mechanism	Includes locking nut and cover
Material Inlet Port	1/4" diameter with flat gasket to fit base	Supply Voltage	10-30VDC
Material Outlet Port	3/16" diameter with flat gasket to fit base	Switch Output	On when flow rate is below the set point
Ambient Temperature	32 to 140° F. (0 to 60° C.)	Switch Load Capacity	200 mA
Dimensions	See Drawing K4531	Switching	PNP
Manifold or Base	Any G. P. Reeves FSM2000 series	Shipping Weight	2 lb. less base and cord

** With 320 SUS oil at 70° F.

OPTIONS AND ACCESSORIES

Part Number	Description	Part Number	Description
FSM2001	Single station base with 1/8 NPT side ports	FSM2000-5	Five station base with 1/8 NPT end ports
FSM2002	Single station base with 1/4 NPT side ports	FSM2000-6	Six station base with 1/8 NPT end ports
FSM2003	Single station base with 3/8 NPT side ports	FSM2000-7	Seven station base with 1/8 NPT end ports
FSM2000-1	Single station base with 1/8 NPT end ports	FSM2000-8	Eight station base with 1/8 NPT end ports
FSM2000-2	Two station base with 1/8 NPT end ports	1850	5 meter long straight with Micro Connector
FSM2000-3	Three station base with 1/8 NPT end ports	1851	5 meter long 90 deg. cord with Micro Connector
FSM2000-4	Four station base with 1/8 NPT end ports		

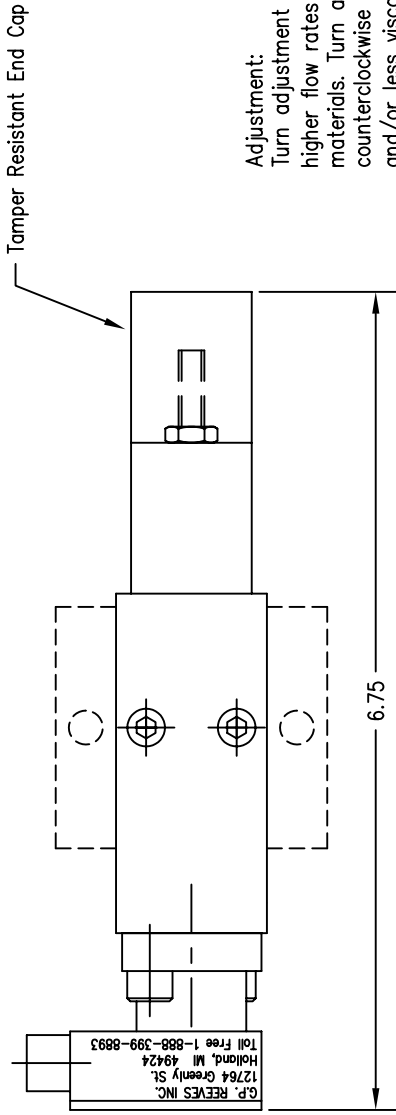
G. P. Reeves Inc. 12764 Greenly Street Holland, MI 49424

Phone: 888.399.8893

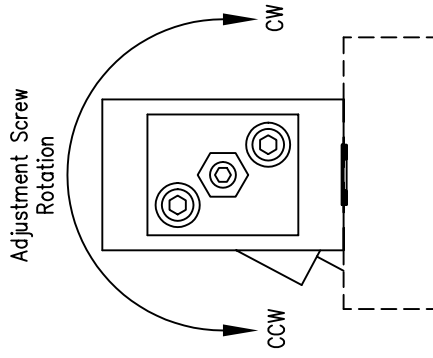
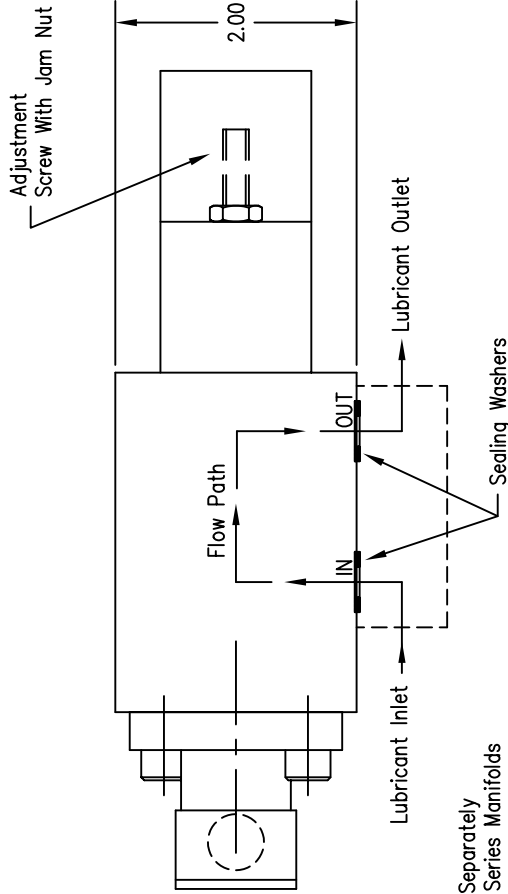
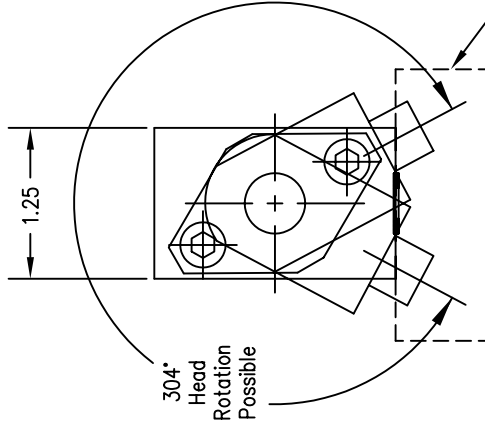
Fax: 616.399.8867

Web Site: <http://gpreeves.com>

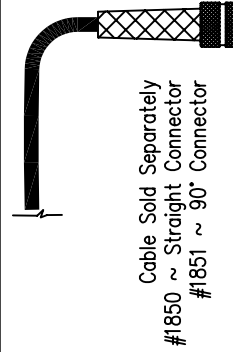
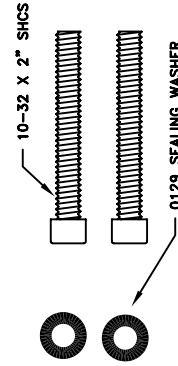
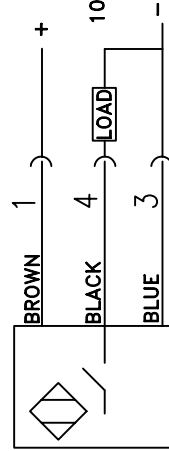
Adjustable flow sensor, 10-30 VDC PNP (three wire). Max. 3000 p.s.i. sensor can be adjusted to recognize the flow of lubricant (oil) with a viscosity of 327 SUS at 100 deg. F. Sensor will reset within 1/2 second of cessation of flow when adjusted to recognize the flow of 320 SUS oil at from .16 to .83 cc per second. Sensor is manifold mountable with four pin male micro receptacle and built in LED's to indicate "power" and "no flow".



Adjustment:
Turn adjustment screw clockwise for higher flow rates and/or more viscous materials. Turn adjustment screw counterclockwise for lower flow rates and/or less viscous materials.



WIRING DIAGRAM FOR PNP PROXIMITY SENSOR



KEY	DESCRIPTION	REQ
LUBE LOGIC	G.P. REEVES INC. 12764 GREENLY STREET HOLLAND, MI 49424, USA	
SCALE	.XXX = ± .005 .XX = ± .015 .X = ± 1/32	
DATE	9/10/01	
TOLERANCES		
DRAWN BY: KAH		
REVISED		
FS3003 Flow Sensor		
Sales Drawing		Sheet 1 of 3
DRAWING NUMBER		KA4531