

FS3001 Grease Flow Sensor

RELIABLE

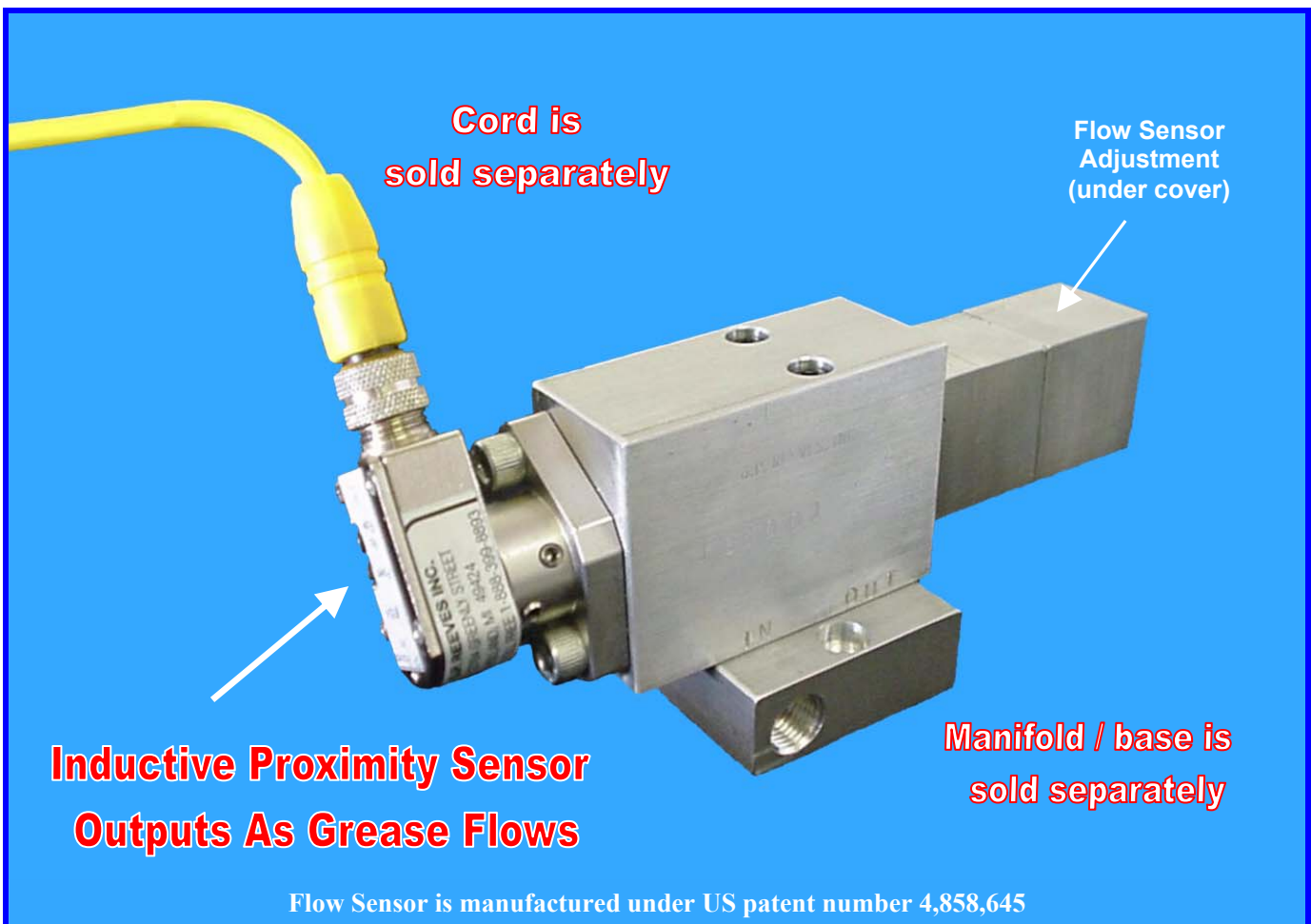
FAST

COMPACT

Adjustable Flow Sensor (Flow Monitor) for Grease

■	Base mounted for quick change with minimal downtime
■	Micro connector for quick electrical connections
■	Easy adjustment with LED flow indicator
■	Tamper resistant adjustment cover

■	Functions with almost any grease or heavy oil
■	Short response time for high production greasing
■	Dependable inductive proximity circuit with digital output
■	Operates with AC or DC voltage



Flow Sensor is manufactured under US patent number 4,858,645

G. P. Reeves Inc. 12764 Greenly Street Holland, MI 49424

Phone: 888.399.8893

Fax: 616.399.8867

Web Site: <http://gpreeves.com>

RELIABLE AND FAST

The FS3001 Flow Sensor uses a sealed electronic inductive proximity circuit, non-magnetic steel ball, and a precision-machined nylon seat for high speed, accurate, reliable operation.

COMPACT & BASE MOUNTABLE

The FS3001 Flow Sensor is small, (about 7” long, 2” high, and 1 ¼” wide) and can be installed on a base that is only ¾” high. Multiple sensors can be installed on multi-station bases on 1 ¾” centers. The male plug-in Micro connector can rotate through 304 deg. for wiring flexibility.

FS3001 SPECIFICATIONS

Media	NLGI #0 through NLGI #3 grease compatible with neoprene seals	Response Time with increasing flow **	0.10 second when adjusted to sense increasing flow. 0.20 second when adjusted to sense decreasing flow
Flow Range **	0.10 to 20 cc per second (Inlet to Outlet) <u>DO NOT REVERSE FLOW</u>	Response time with decreasing flow **	0.10 second when adjusted to sense decreasing flow. 0.20 second when adjusted to sense increasing flow
Pressure Rating	3000 p.s.i. (206 bar)	Adjustment Mechanism	Includes locking nut and cover
Material Inlet Port	1/4” diameter with float gasket to fit base	Supply Voltage	20-250 V AC/DC
Material Outlet Port	3/16” diameter with flat gasket to fit base	Switch Output	<u>On</u> when flow rate is below the set point
Ambient Temperature	32 to 140° F. (0 to 60° C.)	Switch Load Capacity	50 - 400 mA
Dimensions	See Drawing KA4490	Switching	PNP, NPN
Manifold or Base	Any G. P. Reeves FSM2000 series	Shipping Weight	2 lb. less base and cord

** With NLGI #00 through #2 Grease at 70° F. (Grease viscosity, plumbing, and distance will affect response time.)

OPTIONS AND ACCESSORIES

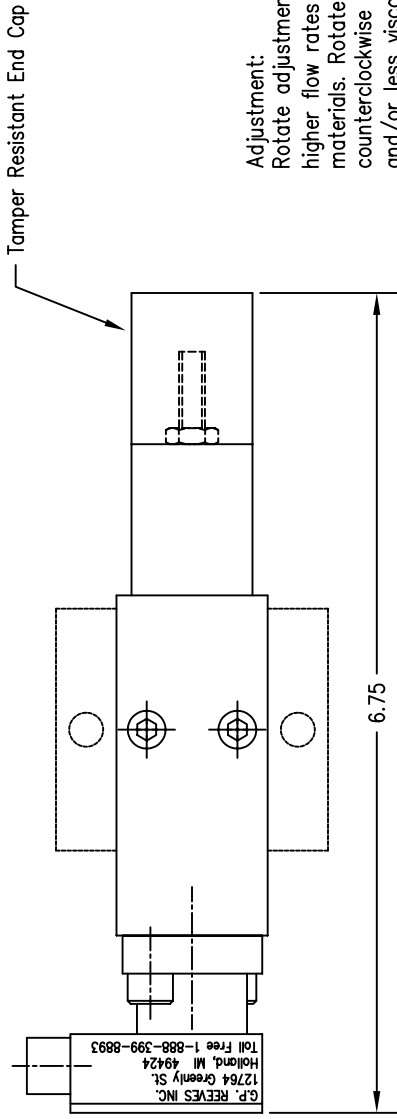
Part Number	Description	Part Number	Description
FSM2001	Single station base with 1/8 NPT side ports	FSM2000-5	Five station base with 1/8 NPT end ports
FSM2002	Single station base with 1/4 NPT side ports	FSM2000-6	Six station base with 1/8 NPT end ports
FSM2003	Single station base with 3/8 NPT side ports	FSM2000-7	Seven station base with 1/8 NPT end ports
FSM2000-1	Single station base with 1/8 NPT end ports	FSM2000-8	Eight station base with 1/8 NPT end ports
FSM2000-2	Two station base with 1/8 NPT end ports	1867	5 meter long straight cord with Micro Connector
FSM2000-3	Three station base with 1/8 NPT end ports	1868	5 meter long 90 deg. cord with Micro Connector
FSM2000-4	Four station base with 1/8 NPT end ports		

G. P. Reeves Inc. 12764 Greenly Street Holland, MI 49424

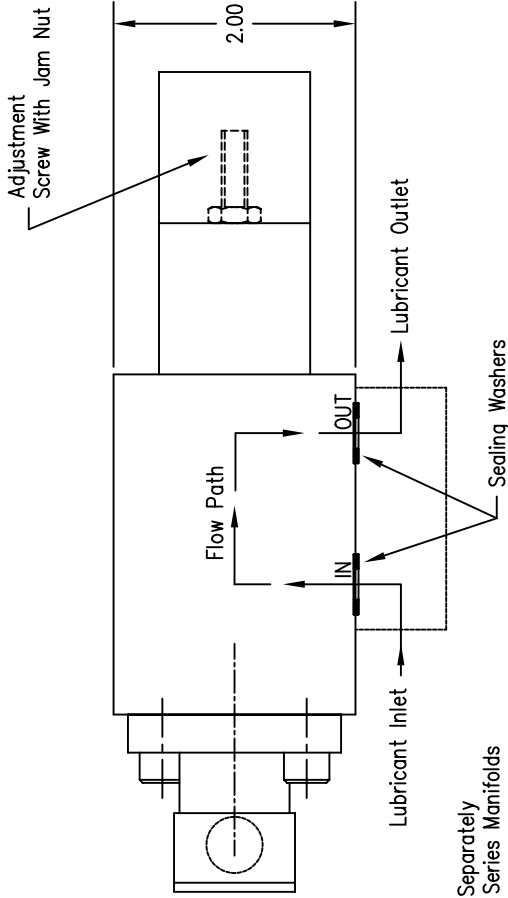
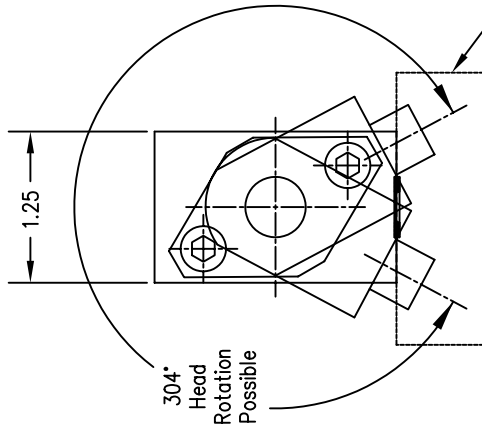
Phone: 888.399.8893

Fax: 616.399.8867

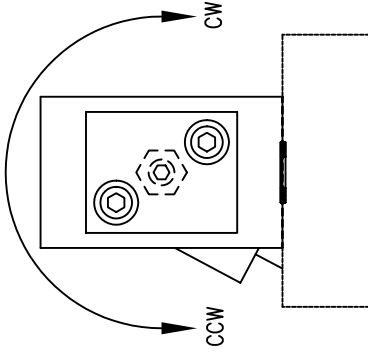
Web Site: <http://gpreeves.com>



Adjustment:
 Rotate adjustment screw clockwise for higher flow rates and/or more viscous materials. Rotate adjustment screw counterclockwise for lower flow rates and/or less viscous materials.



Adjustment Screw Rotation



Manifold Sold Separately
 See FSM2000 Series Manifolds

Do Not Reverse Flow

KEY	DESCRIPTION	REQ
	LUBE LOGIC G.P. REEVES INC. 12764 GREENLY STREET HOLLAND, MI 49424, USA	
SCALE	.XXX = ± .005 .XX = ± .015 .X = ± 1/32	
DATE	06/18/01	
TOLERANCES		
DRAWN BY JMH		
REVISED		
FS3001 Flow Sensor		
Sales Drawing		Sheet 1 of 3
		DRAWING NUMBER KA4490

