

GPMD1003 Automatic Grease Dispenser

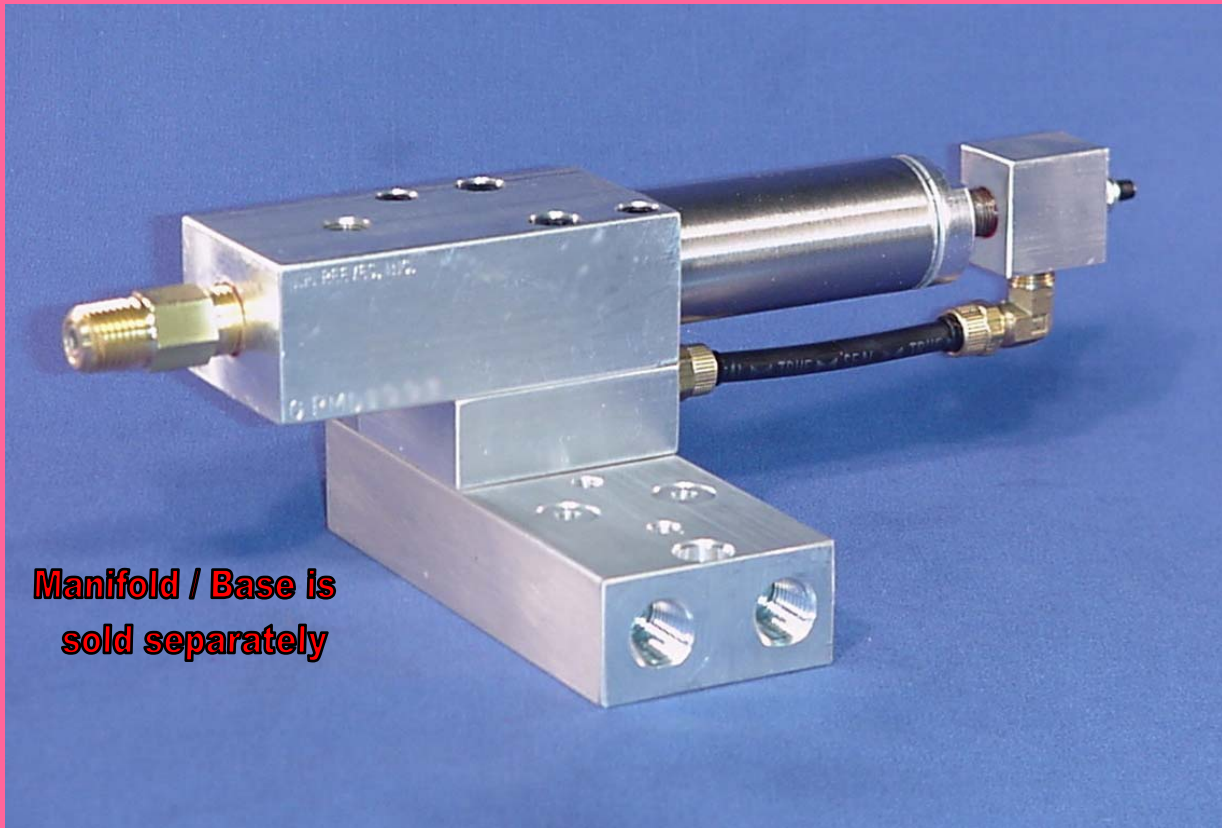
RELIABLE

SIMPLE

CLEAN

Air-operated single-acting metered shot dispenser

■	Accurate dispensing on a repetitive basis	■	Functions with almost any grease or oil
■	Dispenses up to 40 shots per minute at maximum shot size	■	Output check valve prevents dripping
■	Dispenses up to 120 shots per minute at minimum shot size	■	Installs on standard measuring dispenser base
■	Change shot size quickly and easily	■	Operates with low pressure grease



**Manifold / Base is
sold separately**

GPMD1003

G. P. Reeves Inc. 12764 Greenly Street Holland, MI 49424

Phone: 888.399.8893

Fax: 616.399.8867

Web Site: <http://gpreeves.com>

RELIABLE AND SIMPLE	CLEAN AND ECONOMICAL
The GPMD1003 grease dispenser uses a positive displacement air-operated pump, two check valves, and a simple stroke adjustment mechanism to accurately deliver measured shots of grease or oil.	The GPMD1003 will function with low-pressure oil or grease. Grease is a combination of oil, thickeners, and solids and when grease is under high pressure, the oil can separate and drip and run. The thickeners and solids left behind will be more viscous than the grease. An advantage of dispensing grease at low pressures is reduced separation.

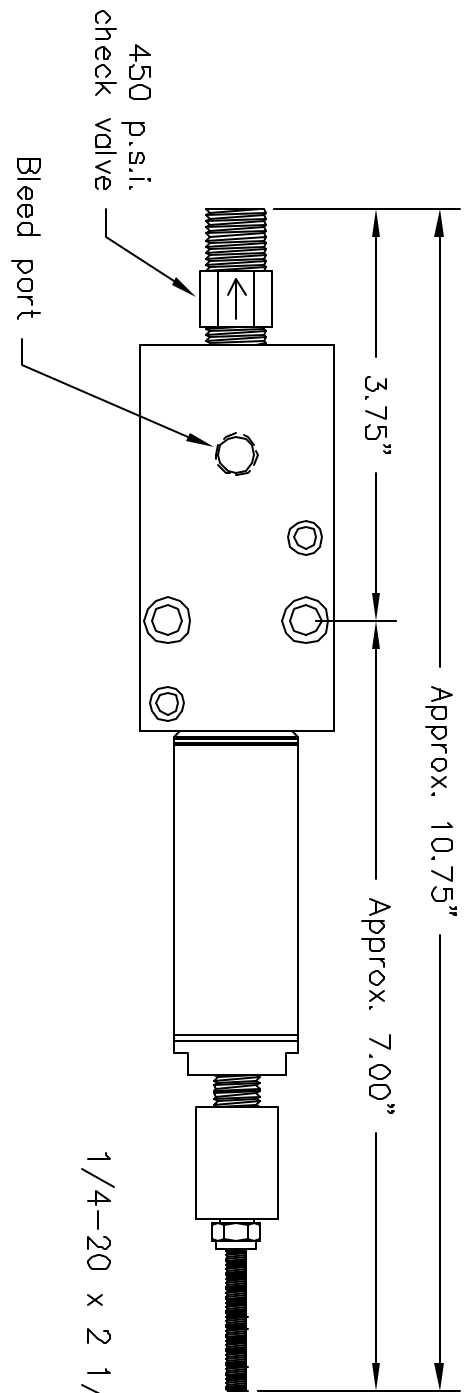
MANIFOLD / BASE MOUNTABLE
The GPMD1003 grease dispensers can be installed on G. P. Reeves MD series measuring dispenser manifolds or bases. The GPMD1003 grease dispenser can be installed or replaced without disturbing the grease or air supply plumbing. One GPMD can be installed on each manifold or base station. The GPMD1003 grease dispensers can replace smaller volume grease dispensers such as the KA1453, KA1453N and similar dispensers with brass bodies. The 1.25 cc maximum output volume of the GPMD1003 grease dispenser is 19 times that of the KA1453 or KA1453N measuring dispenser.

GPMD1003 GENERAL SPECIFICATIONS			
Material Dispensed	Lubricating oil and grease compatible with neoprene seals and with a viscosity between 30 and 1,000,000 centipoise	Adjustment Mechanism	Includes locking nut and has twenty complete revolutions between maximum and minimum
Shot Volume	.004 to .0767 cubic inch (.066 to 1.25 cc)	Material Inlet Pressure	350 p.s.i. maximum 40 p.s.i. minimum
Boost Ratio	9 to 1, - 70 p.s.i. air pressure = 630 p.s.i. material output pressure	Material Inlet Port	Designed for G. P. Reeves MD manifold or base
Air Valve Size and Function	3-way normally closed, with 1/8 or 1/4 NPT ports	Compressed air inlet port	Designed for G. P. Reeves MD manifold or base
Minimum air pressure	70 p.s.i.	Material Outlet Port	1/4 NPT male (see tube adaptor options)
Ambient Temperature	50 to 120° F.	Dimensions	See Drawing KA4723A
Manifold or Base	Any G. P. Reeves MDM1000 series	Shipping Weight	3 lb. (1.36 Kg.)

OPTIONS	
Manifold / Base	Consult factory
3/16" OD tube adaptor	Part number KA4663
1/4" OD tube adaptor	Part number KA4664

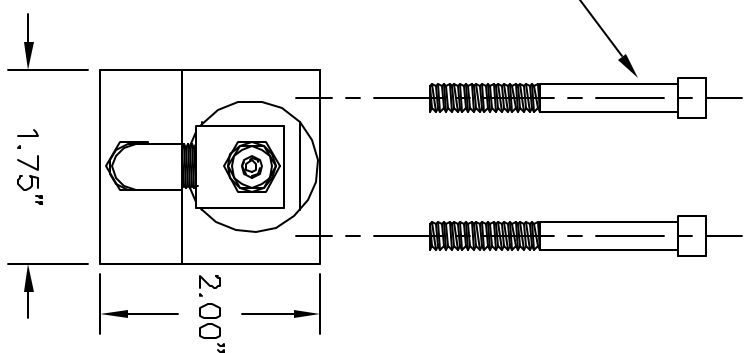
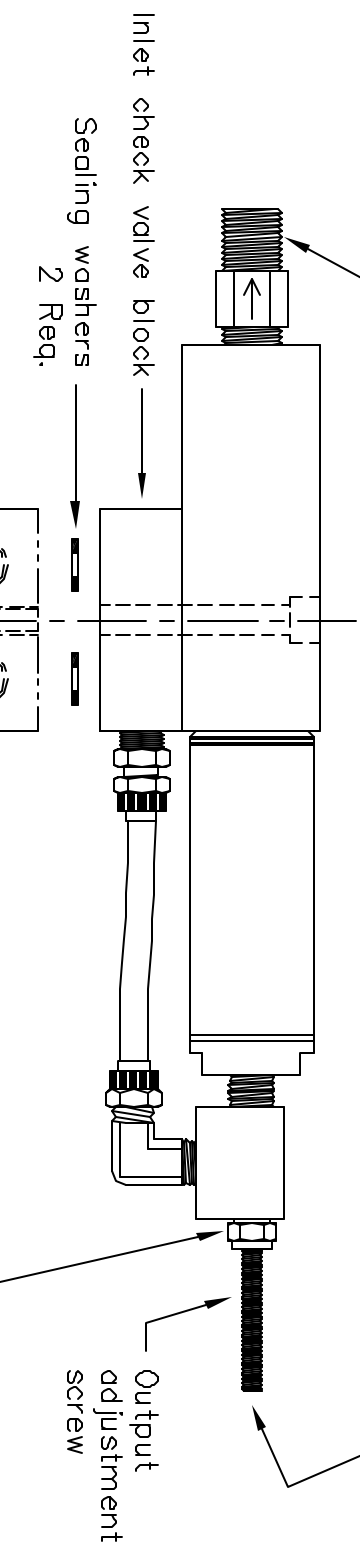
OTHER DISPENSERS AVAILABLE
GPMD1000 (with maximum grease inlet pressure of 200 p.s.i.)
GPMD1001 (with maximum grease inlet pressure of 200 p.s.i. and PNP Hall effect sensor)
GPMD1002 (with maximum inlet pressure of 350 p.s.i. and PNP Hall effect sensor)

<p>G. P. Reeves Inc. 12764 Greenly Street Holland, MI 49424</p> <p>Phone: 888.399.8893 Fax: 616.399.8867 Web Site: http://gpreeves.com</p>



1/4-20 x 2 1/4 SHCS
 2 Req.

Use 3/32" Allen wrench



Typical measuring dispenser manifold

DETAILED DESCRIPTION

GPMD adjustable grease dispenser designed to mount on a typical measuring dispenser manifold or base in low pressure systems. This dispenser is not stackable and its maximum grease output is 1.25 cc (.0767 cubic inch). The dispenser has a 1/4 NPT male outlet, inlet check valve block, two mounting bolts, and two sealing washers. Boost ratio is 9 to 1. Maximum recommended grease inlet pressure is 350 p.s.i. Grease will be extruded from output during adjustment to lesser output. Sales drawing is KA4723A.

LUBE LOGIC G. P. REEVES INC.
 10000 W. 10th Street, Tulsa, OK 74116, USA

SCALE	TOLERANCES	FINISHES
07/23/02	X.XXX ± 0.003 X.XX ± 0.015 XX ± 1/32	PERMITS OR JMH

GPMD1003 Grease Dispenser

THIS DOCUMENT IS THE PROPERTY OF G.P. REEVES INC. AND CONTAINS CONFIDENTIAL PROPRIETARY INFORMATION THAT IS NOT TO BE DISCLOSED TO THIRD PARTIES AND IS NOT TO BE USED WITHOUT APPROVAL IN WRITING FROM G.P. REEVES INC.